

6" SHOP BUILT BLAST GATE

- Thru-slider means no cleaning out packed in dust
 - Easy construction. Build half a dozen in a few hours!
-

MATERIALS:

Frame: 3/4" plywood

Slider: 1/4" hardboard or plywood

Spacers: Same material as slider

Shims: 2 strips of masking tape on
spacer. Trim to size.

Starter flanges: 2pcs

NOTE: I was not able to find starter flanges in my area. As a substitute I bought a TWO PIECE 8" to 6" reducer (galvanized). You can cut the 8" part with a pair of tin snips and the thing will easily pop apart leaving you with a 6" starter flange. It's a bit shorter than some I have seen on the web but it works and it was available from local HVAC suppliers.

Brad a number of blanks together and cut the holes with a router circle cutting jig works well.

Pry the parts apart after holes are cut to assemble.

I used a bit of latex caulk between the spacers and the frame. Use sparingly to avoid squeezeout!

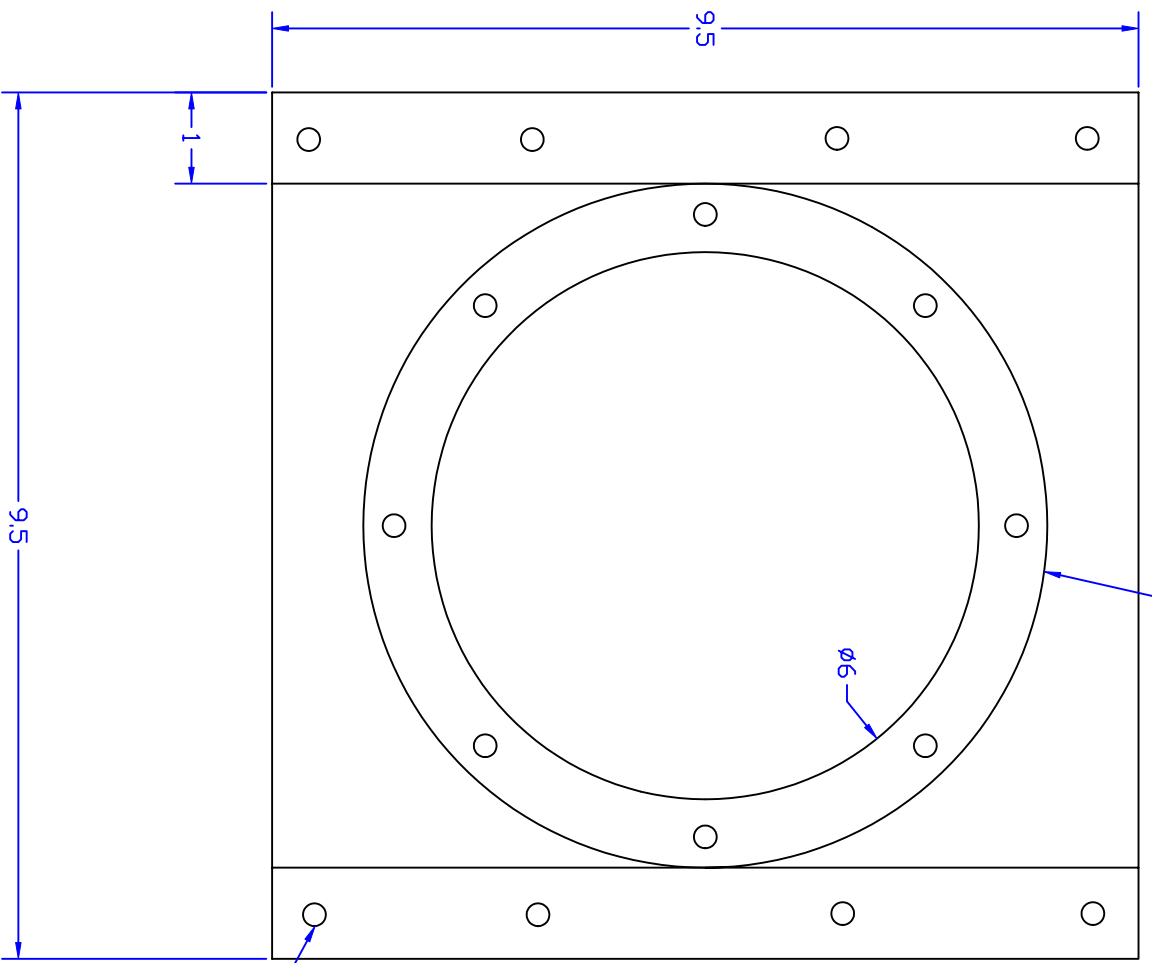
Design & plan by Steve Cater.
Ontario, Canada.

Use at your own risk.

If you build one or find any errors

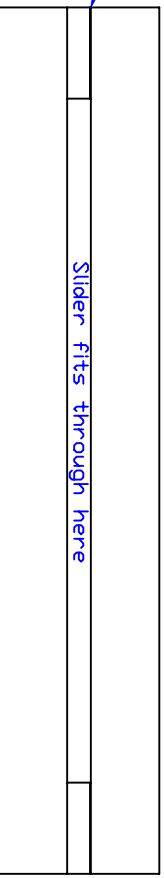
Email me at: caters@sympatico.ca

6" starter flange screwed to plywood face with bead of sealant.



1-1/2" Wood screws
Pre drilled &
countersunk.

Apply 2 strips of masking
tape to surface of
1/4" spacers to act
as shims for easy
movement of the slider.



Slider fits through here

